



# Why switch to LED Tubes?

## LED Tubes are the fast and easy way to upgrade from Linear Fluorescent to LED.

Current offers a variety of LED Tube options, so you can choose the best solution for each application.



No Mercury in LED



50% Energy Reduction



2x Longer Rated Life



Quick Payback

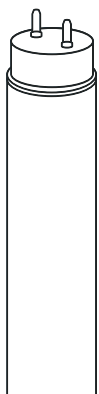
## Fluorescent lamps will soon become unavailable for sale in a number of states with upcoming legislation. Are you ready?

In an effort to regulate consumer products that contain mercury, state governments within the USA have passed legislation that will prohibit the sale and distribution of Linear and Compact Fluorescent lamps.

### Which LED Tube is right for you?

#### Ballast Compatible (UL Type A)

Easy Plug & Play



Uses electronic fluorescent ballast

No re-wiring required

No electrician required

Direct lamp replacement

Check ballast compatibility\*

See Current's Ballast Compatibility Guide at [www.LED.com](http://www.LED.com)

#### Ballast Bypass (UL Type B)

Simple Long-Term Solution



Uses no ballast / driver

Re-wire to bypass ballast

Electrician required

Built-in safety features

Consider misapplication fuse

39017, BT8-1AFUSEKIT - 1 Fuse (1A), 1 Fuse Holder

To learn more about saving money and energy, reach out to your Grainger Sales Representative or visit [www.LED.com](http://www.LED.com)



# Why switch to LED Tubes?

## T8 Linear Fluorescent

T8 Linear Fluorescent Medium Bi-Pin (G13)				Ballast Bypass (Type B) LED Tube			Ballast Compatible (Type A) LED Tube		
Order Code	Grainger Order Code	Description	Color Temp.	Order Code	Grainger Order Code	Description	Order Code	Grainger Order Code	Description
45743	6XT97	F17T8/SP35/ECO	3500K	39560	55GU01	LED9BDT8/G2/835	35776	246N17	LED8ET8/G/2/835
45748	6XT99	F17T8/SP41/ECO	4100K	39561	55GU02	LED9BDT8/G2/840	35778	246N18	LED8ET8/G/2/840
45754	6XV04	F25T8/SP35/ECO	3500K	39547	55GT96	LED12BDT8/G3/835	35784	246N13	LED11ET8/G/3/835
45756	6XV06	F25T8/SP41/ECO	4100K	39554	55GT97	LED12BDT8/G3/840	35788	246N14	LED11ET8/G/3/840
68850	4PL14	F32T8/SPX30/ECO2	3000K	39493	494G94	LED14BDT8/G4/830	34283	467W17	LED14ET8/G/4/830
68851	4PL15	F32T8/SPX35/ECO2	3500K	39494	494G95	LED14BDT8/G4/835	34289	467W18	LED14ET8/G/4/835
68852	4PL16	F32T8/SPX41/ECO2	4100K	39498	494G96	LED14BDT8/G4/840	34291	467W19	LED14ET8/G/4/840
68853	36H776	F32T8/SPX50/ECO2	5000K	39519	55GT94	LED14BDT8/G4/850	34300	467W20	LED14ET8/G/4/850
72864	2ETU2	F28T8/XL/SPX35/ECO	3000K	93117213	55XC96	LED11BDT8/G4/835	93107391	55GT87	LED11ET8/G/4/835
72866	2ETU3	F28T8/XL/SPX41/ECO	4100K	93117214	55XC97	LED11BDT8/G4/840	93107392	55GT88	LED11ET8/G/4/840
72867	2ETU4	F28T8/XL/SPX50/ECO	5000K	93117215	55XC98	LED11BDT8/G4/850	93107393	55GT89	LED11ET8/G/4/850

## T5 Linear Fluorescent

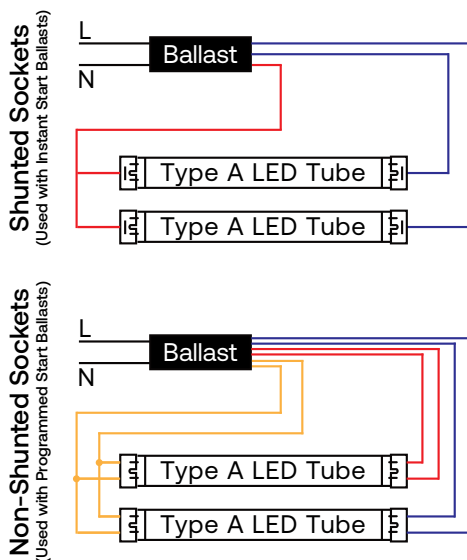
T5 Linear Fluorescent Miniature Bi-Pin (G5)				Ballast Bypass (Type B) LED Tube			Ballast Compatible (Type A) LED Tube		
Order Code	Grainger Order Code	Description	Color Temp.	Order Code	Grainger Order Code	Description	Order Code	Grainger Order Code	Description
46705	5AE19	F28W/T5/835/ECO	3500K	93319129	393LA6	LEDLCBDT5/G4/8SC/120-347	34354	55GU24	LED13ET5G4/835HE
46706	5AE20	F28W/T5/841/ECO	4100K	93128486	818FF5	LED14BDT5G4840HE	34355	55GU25	LED13ET5G4/840HE
46760	5AE34	F54W/T5/835/ECO	3500K	93100293	818FE3	LED25BDT5/G4/835	19221	436L58	LED26ET5/G/4/835
46761	5AE35	F54W/T5/841/ECO	4100K	93100294	818FE4	LED25BDT5/G4/840	19227	436L59	LED26ET5/G/4/840

## LED Tube Wiring Basics:

The wiring diagrams below are provided as general guidance for GE LED Tubes. Other manufacturers' may vary. Refer to installation guides provided with GE LED Tubes for more detailed directions. If sockets are in good condition, no socket replacement should be necessary for GE LED Tubes. Add a jumper to non-shunted sockets, or tie both wires from a non-shunted socket to the incoming power as shown.

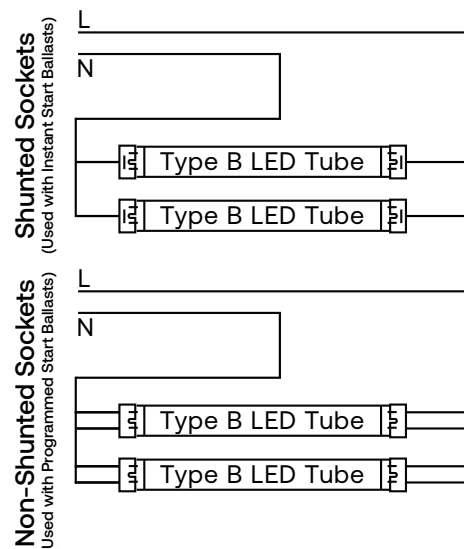
### Ballast Compatible (UL Type A)

Follow Ballast Wiring Diagram  
High Voltage Ballast Output to Sockets



### Ballast Bypass (UL Type B)

Follow Lamp Wiring Diagram  
Mains Voltage AC to Sockets



(Rev 08/27/25), GEL224\_R04